

Compatible with
 large capacity motor

VRHF series

Large type

Motor capacity up to

10 kW
 acceptable

Newly
 emerging



Reduction ratio

1/4	1/20
1/5	1/25
1/7	1/28
1/9	1/35
1/16	1/45

Equipped with low noise helical gear

Servicing not required with lubricating grease

Flange combination saving spaces

High performances guaranteed in vulnerable conditions

**Load strength improved
 to radial, thrust**



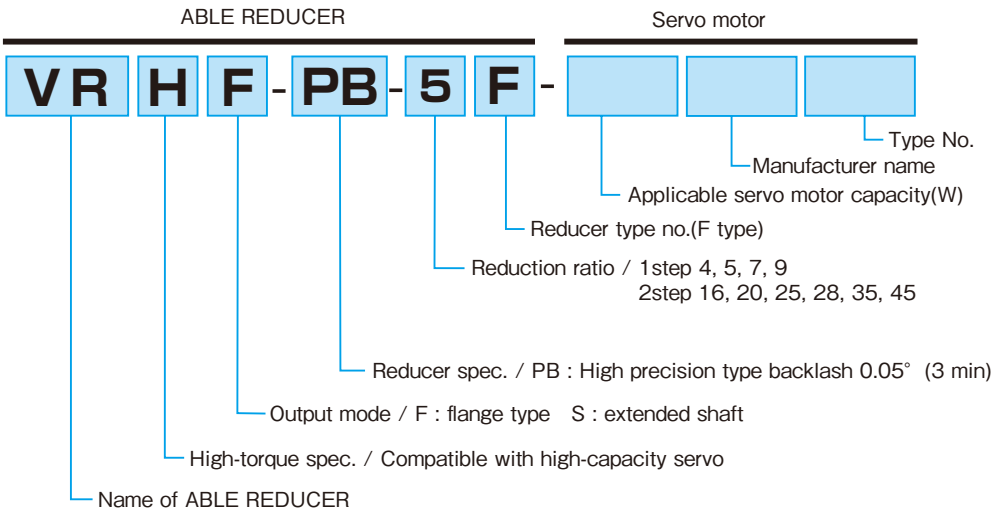
Available even for an
 extended shaft.
 Shaft combination also
 available.
 (optional)

Low noise

Long life

High strength

■ Type no.



Series of servo motor makers

YASKAWA ELECTRIC	SGMSV (3000rpm)	SGMDH (2000rpm)	SGMGH (1500rpm)	SGMGH (1000rpm)
SANYO DENKI	P20B (3000rpm)	P80B (2000rpm)	P60B (2000rpm)	P60B (1500rpm)
MITSUBISHI ELECTRIC	HC-RP (3000rpm)	HF-SP (2000rpm)	HF-SP (1000rpm)	
PANASONIC	MSMA (3000rpm)	MDMA (2000rpm)		

※ Besides, other various servo motors are available. For more details, contact us.

■ Performance table If input speed is 3000rpm

Reduction ratio	Type				Output shaft speed (rpm)	Standard output torque (N · m)	Max. instantaneous output torque (N · m)	Permissible radial load (N)	Permissible thrust load (N)	Max. permissible output torque (N · m)
	Model	Reduction ratio	Type no.	Motor cap.						
1/4	VRH □	-4	F	-5000	750	50.9	153	5880	2940	345
1/5	VRH □	-5	F	-5000	600	68.4	205	5880	2940	345
1/7	VRH □	-7	F	-4000	428	78.0	234	5880	2940	345
	VRH □	-7	F	-5000	428	100	301	5880	2940	345
1/9	VRH □	-S9	F	-3500	333	87.3	262	5880	2940	375
	VRH □	-S9	F	-4000	333	102	305	5880	2940	375
1/16	VRH □	-16	F	-2500	187	92.9	279	5880	2940	630
	VRH □	-16	F	-3000	187	118	355	5880	2940	630
	VRH □	-16	F	-3500	187	144	431	5880	2940	630
	VRH □	-16	F	-4000	187	169	508	5880	2940	630
1/20	VRH □	-20	F	-1500	150	62.0	186	5880	2940	660
	VRH □	-20	F	-2000	150	93.9	282	5880	2940	660
	VRH □	-20	F	-2500	150	126	377	5880	2940	660
	VRH □	-20	F	-3000	150	158	472	5880	2940	660
	VRH □	-20	F	-3500	150	189	568	5880	2940	660
1/25	VRH □	-25	F	-1500	120	83.5	251	5880	2940	660
	VRH □	-25	F	-2000	120	123	370	5880	2940	660
	VRH □	-25	F	-2500	120	163	489	5880	2940	660
	VRH □	-25	F	-3000	120	203	609	5880	2940	660
1/28	VRH □	-28	F	-1500	107	97.6	293	5880	2940	660
	VRH □	-28	F	-2000	107	142	426	5880	2940	660
	VRH □	-28	F	-2500	107	187	560	5880	2940	660
1/35	VRH □	-35	F	-1000	85	78.0	234	5880	2940	660
	VRH □	-35	F	-1500	85	134	401	5880	2940	660
	VRH □	-35	F	-2000	85	189	568	5880	2940	660
1/45	VRH □	-45	F	-1000	66	111	333	5880	2940	660
	VRH □	-45	F	-1500	66	183	548	5880	2940	660

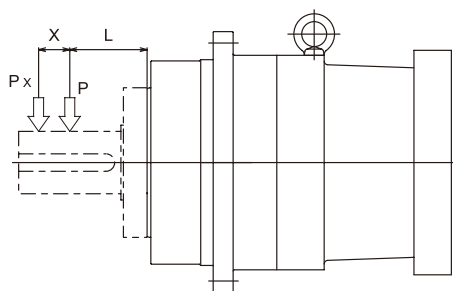
※ For output torque, the numerical value may differ by series of the motor manufacturer.

※ Radial load applies to the case of jointing of the extended shaft(option).

※ In case of long-term successive operation, surface temperature of the servo motor increases, so please attach a fan for cooling.

■ Radial load

Radial load of the ABLE REDUCER(VRHF-□F) is limited to the case that the extended shaft(option) is attached, and based on the force given to the center of the extended shaft, permissible radial load is set. Calculate other radial load using the following equation and positive numbers.



$$P_x = \{K / (K + X)\} \times P$$

P : Permissible radial load(N)

L : Positive number

K : Positive number

X : Load point displacement distance(mm)

P x : Permissible shaft load(N)

Performance table If input speed is 2000rpm

Reduction ratio	Type				Output shaft speed (rpm)	Standard output torque (N · m)	Max. instantaneous output torque (N · m)	Permissible radial load (N)	Permissible thrust load (N)	Max. permissible output torque (N · m)
	Model	Reduction ratio	Type no.	Motor cap.						
1/4	VRH □	-4	F	-3200	500	44.9	135	5880	2940	540
	VRH □	-4	F	-3500	500	50.6	152	5880	2940	540
	VRH □	-4	F	-4000	500	60.1	180	5880	2940	540
	VRH □	-4	F	-4500	500	69.7	209	5880	2940	540
	VRH □	-4	F	-5000	500	79.2	238	5880	2940	540
	VRH □	-4	F	-7000	500	117	352	5880	2940	540
1/5	VRH □	-5	F	-3000	400	54.9	165	5880	2940	480
	VRH □	-5	F	-3200	400	59.7	179	5880	2940	480
	VRH □	-5	F	-3500	400	66.8	200	5880	2940	480
	VRH □	-5	F	-4000	400	78.7	236	5880	2940	480
	VRH □	-5	F	-4500	400	90.7	272	5880	2940	480
	VRH □	-5	F	-5000	400	103	308	5880	2940	480
1/7	VRH □	-7	F	-2500	285	68.5	205	5880	2940	420
	VRH □	-7	F	-3000	285	85.2	256	5880	2940	420
	VRH □	-7	F	-3200	285	91.9	276	5880	2940	420
	VRH □	-7	F	-3500	285	102	306	5880	2940	420
	VRH □	-7	F	-4000	285	119	356	5880	2940	420
	VRH □	-7	F	-4500	285	135	406	5880	2940	420
1/9	VRH □	-S9	F	-2200	222	79.5	238	5880	2940	420
	VRH □	-S9	F	-2500	222	92.3	277	5880	2940	420
	VRH □	-S9	F	-3000	222	114	341	5880	2940	420
	VRH □	-S9	F	-3200	222	122	367	5880	2940	420
	VRH □	-S9	F	-3500	222	135	406	5880	2940	420
1/16	VRH □	-16	F	-2000	125	118	355	5880	2940	630
	VRH □	-16	F	-2200	125	134	401	5880	2940	630
	VRH □	-16	F	-2500	125	157	470	5880	2940	630
	VRH □	-16	F	-3000	125	195	584	5880	2940	630
1/20	VRH □	-20	F	-1000	100	59.7	179	5880	2940	660
	VRH □	-20	F	-1200	100	78.7	236	5880	2940	660
	VRH □	-20	F	-1500	100	107	322	5880	2940	660
	VRH □	-20	F	-2000	100	155	465	5880	2940	660
	VRH □	-20	F	-2200	100	174	523	5880	2940	660
	VRH □	-20	F	-2500	100	203	609	5880	2940	660
1/25	VRH □	-25	F	-1000	80	83.5	251	5880	2940	660
	VRH □	-25	F	-1200	80	107	322	5880	2940	660
	VRH □	-25	F	-1500	80	143	430	5880	2940	660
	VRH □	-25	F	-2000	80	203	609	5880	2940	660
1/28	VRH □	-28	F	-1000	71	97.6	293	5880	2940	660
	VRH □	-28	F	-1200	71	124	373	5880	2940	660
	VRH □	-28	F	-1500	71	164	493	5880	2940	660
1/35	VRH □	-35	F	-750	57	95.2	286	5880	2940	660
	VRH □	-35	F	-1000	57	137	411	5880	2940	660
	VRH □	-35	F	-1200	57	170	511	5880	2940	660
1/45	VRH □	-45	F	-750	44	129	387	5880	2940	660
	VRH □	-45	F	-1000	44	183	548	5880	2940	660

※ For output torque, the numerical value may differ by series of the motor manufacturer.

※ Radial load applies to the case of combination of the extended shaft(option).

※ In case of long-term successive operation, surface temperature of the servo motor increases, so please attach a fan for cooling.

■ Performance table If input speed is 1500rpm

Reduction ratio	Type				Output shaft speed (rpm)	Standard output torque (N · m)	Max. instantaneous output torque (N · m)	Permissible radial load (N)	Permissible thrust load (N)	Max. permissible output torque (N · m)
	Model	Reduction ratio	Type no.	Motor cap.						
1/4	VRH □	-4	F	-2900	375	57.3	172	5880	2940	540
	VRH □	-4	F	-4400	375	95.5	286	5880	2940	540
	VRH □	-4	F	-4500	375	98.0	294	5880	2940	540
	VRH □	-4	F	-5500	375	123	370	5880	2940	540
1/5	VRH □	-5	F	-2900	300	76.4	229	5880	2940	480
	VRH □	-5	F	-4400	300	124	372	5880	2940	480
	VRH □	-5	F	-4500	300	127	382	5880	2940	480
1/7	VRH □	-7	F	-1800	214	64.6	194	5880	2940	420
	VRH □	-7	F	-2900	214	114	341	5880	2940	420
1/9	VRH □	-9	F	-1800	166	88.8	266	5880	2940	420
1/16	VRH □	-16	F	-1300	93	94.2	283	5880	2940	660
	VRH □	-16	F	-1800	93	145	435	5880	2940	660
1/20	VRH □	-20	F	-850	75	70.0	210	5880	2940	660
	VRH □	-20	F	-1300	75	127	382	5880	2940	660
	VRH □	-20	F	-1800	75	191	573	5880	2940	660
1/25	VRH □	-25	F	-850	60	99.4	298	5880	2940	660
	VRH □	-25	F	-1300	60	171	513	5880	2940	660
1/28	VRH □	-28	F	-850	53	117	350	5880	2940	660
	VRH □	-28	F	-1300	53	197	591	5880	2940	660
1/35	VRH □	-35	F	-450	42	66.8	200	5880	2940	660
	VRH □	-35	F	-850	42	156	468	5880	2940	660
1/45	VRH □	-45	F	-450	33	96.6	290	5880	2940	660

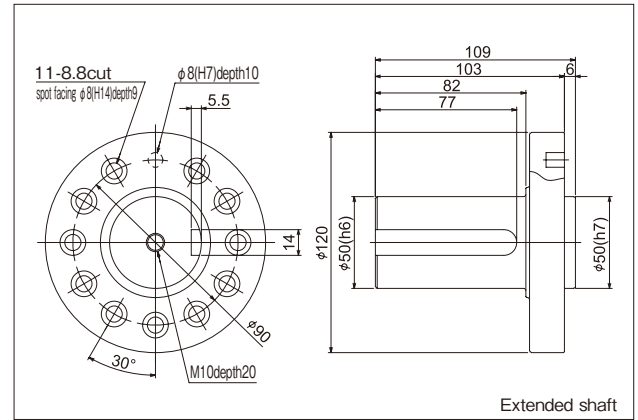
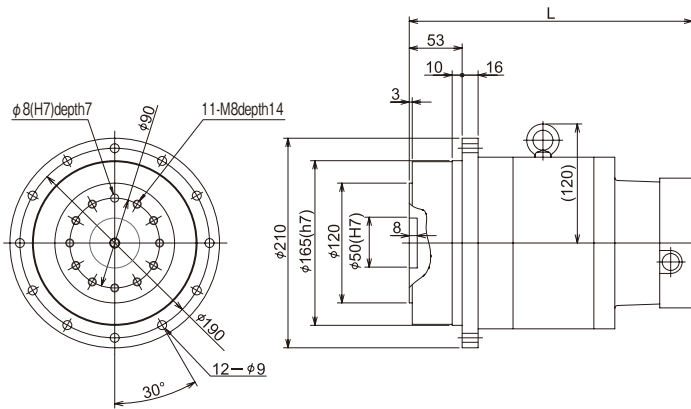
■ Performance table If input speed is 1000rpm

Reduction ratio	Type				Output shaft speed (rpm)	Standard output torque (N · m)	Max. instantaneous output torque (N · m)	Permissible radial load (N)	Permissible thrust load (N)	Max. permissible output torque (N · m)
	Model	Reduction ratio	Type no.	Motor cap.						
1/4	VRH □	-4	F	-2000	250	59.2	178	5880	2940	540
	VRH □	-4	F	-3000	250	97.4	292	5880	2940	540
	VRH □	-4	F	-4000	250	136	407	5880	2940	540
1/5	VRH □	-5	F	-2000	200	76.4	229	5880	2940	510
	VRH □	-5	F	-3000	200	124	372	5880	2940	510
	VRH □	-5	F	-4000	200	172	515	5880	2940	510
1/7	VRH □	-7	F	-1200	142	66.8	200	5880	2940	420
	VRH □	-7	F	-2000	142	120	361	5880	2940	420
1/9	VRH □	-9	F	-850	111	60.1	180	5880	2940	420
	VRH □	-9	F	-900	111	64.4	193	5880	2940	420
	VRH □	-9	F	-1200	111	90.2	271	5880	2940	420
1/16	VRH □	-16	F	-850	62	95.5	286	5880	2940	660
	VRH □	-16	F	-900	62	103	309	5880	2940	660
	VRH □	-16	F	-1200	62	149	447	5880	2940	660
1/20	VRH □	-20	F	-600	50	80.2	241	5880	2940	660
	VRH □	-20	F	-850	50	128	384	5880	2940	660
	VRH □	-20	F	-900	50	137	412	5880	2940	660
	VRH □	-20	F	-1200	50	195	584	5880	2940	660
1/25	VRH □	-25	F	-600	40	111	333	5880	2940	660
	VRH □	-25	F	-850	40	171	512	5880	2940	660
	VRH □	-25	F	-900	40	183	548	5880	2940	660
1/28	VRH □	-28	F	-600	35	124	373	5880	2940	660
	VRH □	-28	F	-850	35	191	573	5880	2940	660
	VRH □	-28	F	-900	35	204	613	5880	2940	660
1/35	VRH □	-35	F	-300	28	70.2	210	5880	2940	660
	VRH □	-35	F	-600	28	170	511	5880	2940	660
1/45	VRH □	-45	F	-300	22	103	309	5880	2940	660

※ For output torque, the numerical value may differ by series of the motor manufacturer.

※ Radial load applies to the case of combination of the extended shaft(option).

※ In case of long-term successive operation, surface temperature of the servo motor increases, so please attach a fan for cooling. For output torque, the numerical value may differ by series of the motor manufacturer.

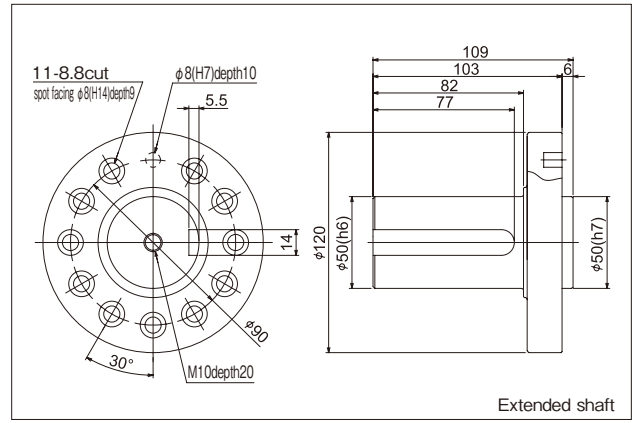
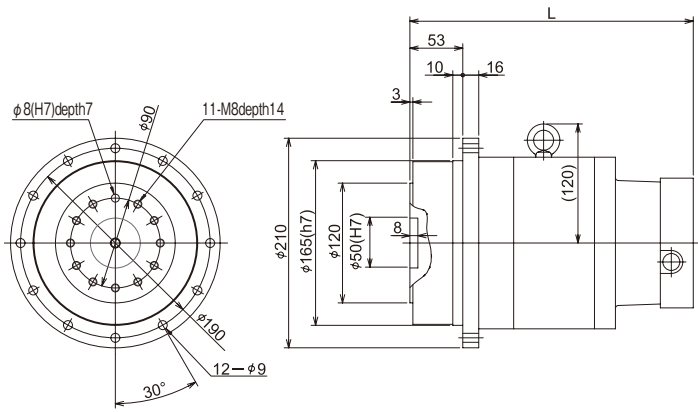


Extended shaft

Tamagawa Seiki TBL-III 3000r/min series	Servo motor		Reduction ratio	ABLE REDUCER type	Size L	Performance					
	Type	Output (W)				Output shaft speed (rpm)	Rated output torque (N · m)	Max. instantaneous output torque (N · m)	Permissible radial load (N)	Permissible thrust load (N)	Max. permissible output torque (N · m)
TS4831	800	35	VRHF-PB-35F-800	279	85.7	55.7	150	5880	2940	660	
		45	VRHF-PB-45F-800	279	66.6	82.4	223	5880	2940	660	
TS4813	1000	35	VRHF-PB-35F-1000	279	85.7	80.8	242	5880	2940	660	
		45	VRHF-PB-45F-1000	279	66.6	115	345	5880	2940	660	
TS4832	1100	20	VRHF-PB-20F-1100	279	150	36.5	104	5880	2940	660	
		25	VRHF-PB-25F-1100	279	120	51.7	147	5880	2940	660	
		28	VRHF-PB-28F-1100	279	107	61.9	176	5880	2940	660	
		35	VRHF-PB-35F-1100	279	85.7	89.0	254	5880	2940	660	
TS4815	1500	20	VRHF-PB-20F-1500	279	150	62.4	187	5880	2940	660	
		25	VRHF-PB-25F-1500	279	120	84.0	252	5880	2940	660	
		28	VRHF-PB-28F-1500	279	107	98.1	294	5880	2940	660	
		35	VRHF-PB-35F-1500	279	85.7	134	403	5880	2940	660	
TS4833	1600	20	VRHF-PB-20F-1600	279	150	68.3	205	5880	2940	660	
		25	VRHF-PB-25F-1600	279	120	91.4	274	5880	2940	660	
		28	VRHF-PB-28F-1600	279	107	106	319	5880	2940	660	
		35	VRHF-PB-35F-1600	279	85.7	144	434	5880	2940	660	
TS4817	2000	20	VRHF-PB-20F-2000	279	150	100	300	5880	2940	660	
		25	VRHF-PB-25F-2000	279	120	131	395	5880	2940	660	
		28	VRHF-PB-28F-2000	279	107	151	455	5880	2940	660	
		35	VRHF-PB-35F-2000	279	85.7	202	606	5880	2940	660	
TS4844	2100	16	VRHF-PB-16F-2100	279	187	72.5	210	5880	2940	660	
		20	VRHF-PB-20F-2100	279	150	100	291	5880	2940	660	
		25	VRHF-PB-25F-2100	279	120	131	381	5880	2940	660	
		28	VRHF-PB-28F-2100	279	107	150	438	5880	2940	660	

※ Multiple corresponding servo motors exist beyond the above mentioned one. For more details, contact the nearest distributor.

VR
ABLE REDUCER
EF
CONCENTRIC REDUCER FOR SERVO MOTOR



Extended shaft

Sanyo Denki P60B 2000r/min series	Servo motor		Reduction ratio	ABLE REDUCER type	Size L	Performance					
	Type	Output (W)				Output shaft speed (rpm)	Rated output torque (N · m)	Max. instantaneous output torque (N · m)	Permissible radial load (N)	Permissible thrust load (N)	Max. permissible output torque (N · m)
						20	25	28	35	45	20
P60B13100	1000		20	VRHF-PB-20F-1000	284	100	59.7	179	5880	2940	660
			25	VRHF-PB-25F-1000	284	80	83.5	251	5880	2940	660
			28	VRHF-PB-28F-1000	284	71.4	97.6	293	5880	2940	660
			35	VRHF-PB-35F-1000	284	57.1	137	411	5880	2940	660
			45	VRHF-PB-45F-1000	284	44.4	183	548	5880	2940	660
P60B13150	1500		20	VRHF-PB-20F-1500	284	100	107	286	5880	2940	660
			25	VRHF-PB-25F-1500	284	80.0	143	382	5880	2940	660
			28	VRHF-PB-28F-1500	284	71.4	164	438	5880	2940	660
P60B13200	2000		16	VRHF-PB-16F-2000	288	125	118	374	5880	2940	630
			20	VRHF-PB-20F-2000	288	100	155	490	5880	2940	660
			25	VRHF-PB-25F-2000	288	80.0	203	641	5880	2940	660
P60B18200	2000		16	VRHF-PB-16F-2000	307	125	118	374	5880	2940	630
			20	VRHF-PB-20F-2000	307	100	155	490	5880	2940	660
			25	VRHF-PB-25F-2000	307	80.0	203	641	5880	2940	660
P60B15300	3000		5	VRHF-PB-5F-3000	220	400	54.9	167	5880	2940	480
			7	VRHF-PB-7F-3000	220	285	85.2	259	5880	2940	420
			9	VRHF-PB-S9F-3000	220	222	114	345	5880	2940	420
			16	VRHF-PB-16F-3000	283	125	195	591	5880	2940	630
P60B18350	3500		4	VRHF-PB-4F-3500	230	500	47.7	140	5880	2940	540
			5	VRHF-PB-5F-3500	230	400	66.8	197	5880	2940	480
			7	VRHF-PB-7F-3500	230	285	102	300	5880	2940	420
			9	VRHF-PB-S9F-3500	230	222	135	398	5880	2940	420
P60B18450	4500		4	VRHF-PB-4F-4500	230	500	66.8	218	5880	2940	540
			5	VRHF-PB-5F-4500	230	400	90.6	295	5880	2940	480
			7	VRHF-PB-7F-4500	230	285	135	441	5880	2940	420

Mitsubishi Electric HC-SP 2000r/min series	Servo motor		Reduction ratio	ABLE REDUCER type	Size L	Performance					
	Type	Output (W)				Output shaft speed (rpm)	Rated output torque (N · m)	Max. instantaneous output torque (N · m)	Permissible radial load (N)	Permissible thrust load (N)	Max. permissible output torque (N · m)
						20	25	28	35	45	20
HC-SP102	1000		20	VRHF-PB-20F-1000	284	100	59.7	180	5880	2940	660
			25	VRHF-PB-25F-1000	284	80	83.5	252	5880	2940	660
			28	VRHF-PB-28F-1000	284	71.4	97.6	294	5880	2940	660
			35	VRHF-PB-35F-1000	284	57.1	137	413	5880	2940	660
			45	VRHF-PB-45F-1000	284	44.4	183	550	5880	2940	660
HC-SP152	1500		20	VRHF-PB-20F-1500	284	100	107	324	5880	2940	660
			25	VRHF-PB-25F-1500	284	80.0	143	432	5880	2940	660
			28	VRHF-PB-28F-1500	284	71.4	164	496	5880	2940	660
HC-SP202	2000		16	VRHF-PB-16F-2000	307	125	118	353	5880	2940	630
			20	VRHF-PB-20F-2000	307	100	155	463	5880	2940	660
			25	VRHF-PB-25F-2000	307	80.0	203	605	5880	2940	660
HC-SP352	3500		4	VRHF-PB-4F-3500	245	500	47.7	143	5880	2940	540
			5	VRHF-PB-5F-3500	245	400	66.8	200	5880	2940	480
			7	VRHF-PB-7F-3500	245	285	102	306	5880	2940	420
			9	VRHF-PB-S9F-3500	245	222	135	406	5880	2940	420
HC-SP502	5000		4	VRHF-PB-4F-5000	245	500	76.4	229	5880	2940	540
			5	VRHF-PB-5F-5000	245	400	103	307	5880	2940	480
HC-SP702	7000		4	VRHF-PB-4F-7000	245	500	115	343	5880	2940	540
			5	VRHF-PB-5F-7000	245	400	150	450	5880	2940	480

※ Multiple corresponding servo motors exist beyond the above mentioned one. For more details, contact the nearest distributor.

Yaskawa Electric SGMGH 1500r/min series	Servo motor		Reduction ratio	ABLE REDUCER type	Size L	Performance					
	Type	Output (W)				Output shaft speed (rpm)	Rated output torque (N · m)	Max. instantaneous output torque (N · m)	Permissible radial load (N)	Permissible thrust load (N)	Max. permissible output torque (N · m)
	25	VRHF-PB-25F-850	291	60.0	99.4	254	5880	2940	660		
	28	VRHF-PB-28F-850	291	53.5	117	299	5880	2940	660		
	35	VRHF-PB-35F-850	291	42.8	156	399	5880	2940	660		
SGMGH13A□A	1300	16	VRHF-PB-16F-1300	291	93.8	94.1	263	5880	2940	660	
		20	VRHF-PB-20F-1300	291	75.0	127	355	5880	2940	660	
		25	VRHF-PB-25F-1300	291	60.0	171	477	5880	2940	660	
		28	VRHF-PB-28F-1300	291	53.5	197	550	5880	2940	660	
SGMGH20A□A	1800	7	VRHF-PB-7F-1800	245	214	64.6	181	5880	2940	420	
		9	VRHF-PB-S9F-1800	245	167	88.8	222	5880	2940	420	
		16	VRHF-PB-16F-1800	307	93.8	145	362	5880	2940	660	
		20	VRHF-PB-20F-1800	307	75.0	191	476	5880	2940	660	
SGMGH30A□A	2900	4	VRHF-PB-4F-2900	245	375	56.0	136	5880	2940	540	
		5	VRHF-PB-5F-2900	245	300	76.3	185	5880	2940	480	
		7	VRHF-PB-7F-2900	245	214	114	275	5880	2940	420	
SGMGH44A□A	4400	4	VRHF-PB-4F-4400	245	375	94.1	236	5880	2940	540	
		5	VRHF-PB-5F-4400	245	300	124	311	5880	2940	480	
SGMGH55A□A	5500	4	VRHF-PB-4F-5500	280	375	122	306	5880	2940	540	

Sanyo Denki P60B 1500r/min series	Servo motor		Reduction ratio	ABLE REDUCER type	Size L	Performance					
	Type	Output (W)				Output shaft speed (rpm)	Rated output torque (N · m)	Max. instantaneous output torque (N · m)	Permissible radial load (N)	Permissible thrust load (N)	Max. permissible output torque (N · m)
P60B22550	4	VRHF-PB-4F-5500	285	375	122	314	5880	2940	540		

Yaskawa Electric SGMGH 1000r/min series	Servo motor		Reduction ratio	ABLE REDUCER type	Size L	Performance					
	Type	Output (W)				Output shaft speed (rpm)	Rated output torque (N · m)	Max. instantaneous output torque (N · m)	Permissible radial load (N)	Permissible thrust load (N)	Max. permissible output torque (N · m)
25	VRHF-PB-25F-600	291	40.0	116	289	5880	2940	660			
28	VRHF-PB-28F-600	291	35.7	124	309	5880	2940	660			
35	VRHF-PB-35F-600	291	28.5	170	423	5880	2940	660			
SGMGH09A□B	900	9	VRHF-PB-S9F-900	227	111	64.4	144	5880	2940	420	
		16	VRHF-PB-16F-900	291	62.5	103	231	5880	2940	660	
		20	VRHF-PB-20F-900	291	50.0	137	308	5880	2940	660	
		25	VRHF-PB-25F-900	291	40.0	183	409	5880	2940	660	
SGMGH12A□B	1200	28	VRHF-PB-28F-900	291	35.7	204	458	5880	2940	660	
		7	VRHF-PB-7F-1200	245	142	66.8	163	5880	2940	420	
		9	VRHF-PB-S9F-1200	245	111	90.2	220	5880	2940	420	
		16	VRHF-PB-16F-1200	307	62.5	149	363	5880	2940	660	
SGMGH20A□B	2000	20	VRHF-PB-20F-1200	307	50.0	195	474	5880	2940	660	
		4	VRHF-PB-4F-2000	245	250	57.3	132	5880	2940	540	
		5	VRHF-PB-5F-2000	245	200	74.0	170	5880	2940	510	
SGMGH30A□B	3000	7	VRHF-PB-7F-2000	245	142	120	277	5880	2940	420	
		4	VRHF-PB-4F-3000	245	250	95.4	214	5880	2940	540	
SGMGH40A□B	4000	5	VRHF-PB-5F-3000	245	200	122	273	5880	2940	510	
		4	VRHF-PB-4F-4000	280	250	134	374	5880	2940	540	
		5	VRHF-PB-5F-4000	280	200	169	474	5880	2940	510	

※ Multiple corresponding servo motors exist beyond the above mentioned one. For more details, contact the nearest distributor.